

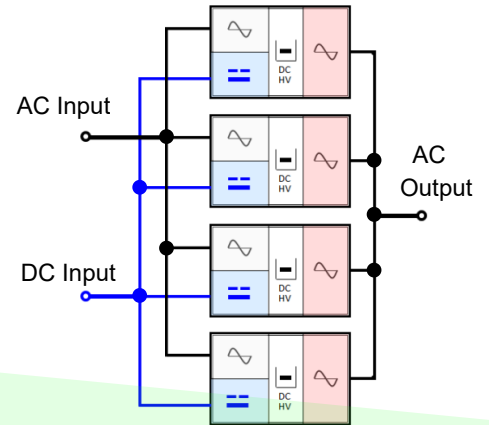
Modular Rack-mount Inverter

SR-1600 plus series



- Capacity : 1,600 VA per module (1.6KW@48Vdc, 1.2KW@24Vdc)
6,400 VA per 19" 2U rack with 4 modules
- DC Input : 24 Vdc or 48 Vdc (pls. specify)
- AC Input : Same voltage as AC output
- AC Output : 120 Vac or 230 Vac (pls. specify)
50 Hz or 60 Hz , pure sine wave

SR-1600 plus modules x 4
6,400VA per 2U 19" rack



FEATURES :

- **Seamless transfer time (0mS)** in each module.
- **Hot swappable** modular with LED indicator.
- **True redundancy N+1**, NO single point of failure.
- **Dual input power sources (DC & AC)**.
- **DC mode (DC priority) / AC mode (AC priority)** selectable
- **RS-485 Control Interface (MODBUS protocol)**
- High efficiency up to 95% at AC mode , 91% at DC mode
- Engineering Bootloader mode
- Monitoring Event Log / Direct Alarm Message.
- Standard 19" rack mount, 4 modules/2U rack, total up to **32** modules
- Wide input range: (150 ~ 265VAC or 75 ~ 132VAC ; 18 ~ 34VDC or 36 ~ 68VDC)
- Protection: Reverse Polarity/UVP/OVP/SCP/OTP
- Optional : SNMP , Control Unit , Maintenance Manual Bypass Switch.

Up to **32** modules (51.2KVA)
in parallel connection



4800VA SR-1600 plus in 2U 19" Rack with Controller CR-21



6400VA SR-1600 plus in 2U 19" Rack without Controller CR-21



OPTION :



SNMP
SN-1



Controller
CR-21



SNMP SN-1
& CR-21

Model	SR-1600-124	SR-1600-148	SR-1600-224	SR-1600-248
Output Rating Power	1600VA (1200W)	1600VA (1600W)	1600VA (1200W)	1600VA (1600W)
Overload Capacity	105% ~ 150% (150% rated power for 15 seconds)			
AC Output Voltage	120Vac (range 100~120Vac ±3%)		230Vac (range 200~240Vac ±2%)	
AC Output Waveform	Pure Sine Wave (THD < 3% @ 1.15 times of the rated VDC, rated AC voltage, >80% linear load)			
AC Output Frequency	50 / 60 Hz ±0.1% (selectable)			
Efficiency (Max., AC mode)	94%		95%	
Efficiency (Max., DC mode)	89%	90%	90%	91%
Turn ON Delay	< 10 sec.			
Crest Factor at Nominal Power	DC mode: 3 times nominal current AC mode: 6 times nominal current		DC mode: 3 times nominal current AC mode: 10 times nominal current	
DC Input Voltage	24Vdc (18~34V±3%)	48Vdc (36~68V±3%)	24Vdc (18~34V±3%)	48Vdc (36~68V±3%)
Nominal Current	56A @24Vdc	37A @48Vdc	56A @24Vdc	37A @48Vdc
Max. Input Current(15sec)	90A	60A	90A	60A
AC Input Nominal(Range)	120Vac (range 90~130Vac ±3%)		230Vac (range 180~260Vac ±2%)	
Range before transfer to DC	Adjustable from 75~132.5Vac		Adjustable from 150~265Vac	
Synchronous Frequency	50Hz (47 ~ 53Hz) / 60Hz (57~ 63 Hz)			
Power Factor	> 0.99 @ Rating Power			
Transfer Performance	Inverter to Utility AC : 0 mSec / Utility AC to Inverter : 0 mSec.			
LED Indicator	System Status / DC Input / AC input / Load status			
Failure Indication	Buzzer alarm			
Advanced Control	RS485 control module (MODBUS protocol)			
Protection – DC Input	Over Voltage, Under Voltage, Reverse Polarity			
Protection – AC Input	Over Voltage, Under Voltage, Over Current			
Protection – AC Output	Short-Circuit, Over Load , Over Temperature			
Operating Temperature	-25 ~ +60 °C ; Full load ≤40°C , de-rate output power when >40°C			
Storage Temp & Humidity	-40 ~ +70 °C , 95% RH (non condensing)			
Vibration	BS EN61373			
Cooling	Temperature & load controlled cooling fan			
Safety Standards	Meet UL 60950-1		Certificated EN 60950-1	
EMC Standards	Certificated FCC Class B		Certificated EN55022 Class B; EN61204-3; EN55024; EN61000-3-2, -3-3, -6-1, -6-3 IEC 61000-4-2, 3, 4, 5, 6, 8, 11	
Dimension (W x H x D)	Module : 105 x 83 x 410 mm ;		Shelf : 446/484 x 85 x 509 mm	
Weight	Module : 3.8 Kg		Shelf : 6.5 Kg (with no module)	
Power Rack	Model "SR-2U2 Plus" for 230VAC ; Model "SR-2U1 Plus" for 120VAC			
Optional	1.) LCD Remote Controller, CR-21, 2.) SNMP, SN-1, 3.) Maintenance Manual Bypass Switch			